

Quick Installation Guide

TQ1402 and TQm1402

Wireless Access Point



Installation and User's Guides

This document contains an abbreviated version of the installation instructions for the TQ1402 and TQm1402 Wireless Access Points. For complete installation and management instructions, refer to the *TQ1402 Series Wireless Access Point Installation Guide* and *TQ1402 and TQm1402 Management Software User's Guide* on the Allied Telesis web site at www.alliedtelesis.com/support.

Safety and Electromagnetic Emissions Certificates

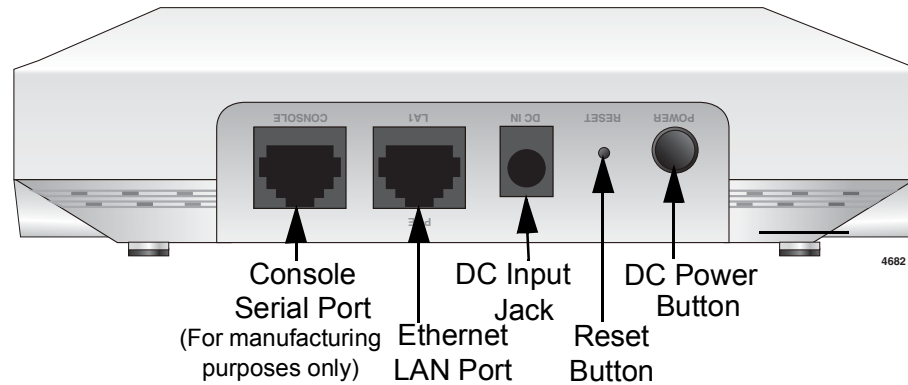
For Safety and Electromagnetic Emissions certificates, refer to the *TQ1402 Series Wireless Access Point Installation Guide*.

Installation Options

This Quick Installation Guide explains how to install the access point on a desktop, wall or ceiling.

Physical Description

For a complete physical description of the TQ1402 Wireless Access Point, refer to the *TQ1402 Series Wireless Access Point Installation Guide*. The back edge view of the access point is shown below.



Package Contents of the TQ1402 Wireless Access Point

The following items should be in the shipping container:

- One TQ1402 or TQm1402 Wireless Access Point
- This Quick Installation Guide
- Two mounting-bracket screws
- One mounting bracket
- One RJ-45 Dust Caps

If you are planning to use the DC IN jack to power the device or use a Kensington anti-theft cable/lock, you must separately order the AT-MWS0091 AC/DC Power Adapter (or equivalent power supply), or anti-theft cable/lock. For installation information on the adapter and anti-theft cable/lock device, refer to the *TQ1402 Series Wireless Access Point Installation Guide*.

If any item is missing or damaged, contact your Allied Telesis sales representative for assistance. You should retain the original shipping material in case you need to return the unit to Allied Telesis.



613-002710 Rev C

Installing the Wireless Access Point on a Desktop

To install the access point on a desktop, perform the following procedure:

1. Connect the Ethernet cable. If you choose to power the access point with a DC power supply, plug the DC connector into the DC IN jack.
2. If you choose to install an anti-theft cable/lock to the access point, follow the instructions provided for the *TQ1402 Series Wireless Access Point Installation Guide*.
3. The installation of your access point on the table top surface is now complete.

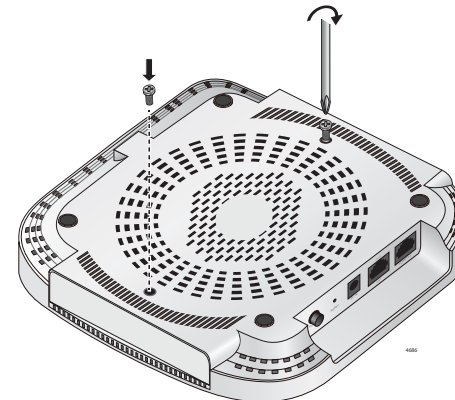
Installing the Wireless Access Point on a Wall or Ceiling

To install the access point on a wall or ceiling, there are three stages:

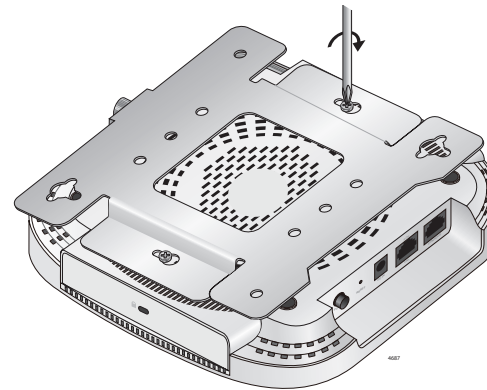
- Pre-Fitting Mounting Bracket on TQ1402 Access Point
- Installing Mounting Bracket
- Attaching Chassis to Mounting Bracket

Pre-Fitting Mounting Bracket on TQ1402 Access Point

1. Install the two screws (provided) in the bottom side of the access point chassis. Refer to the following figure.



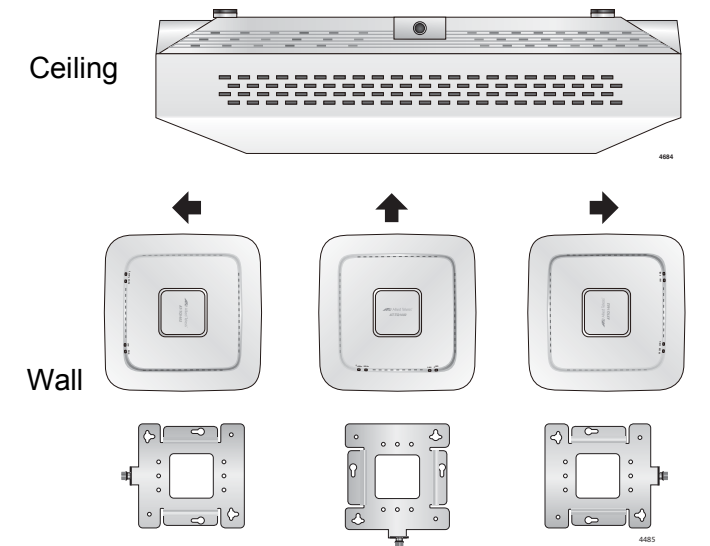
2. Align and insert the mounting bracket keyholes over the two screws installed in Step 1 and slide the bracket into the narrow part of the keyhole slots. Refer to the following figure.



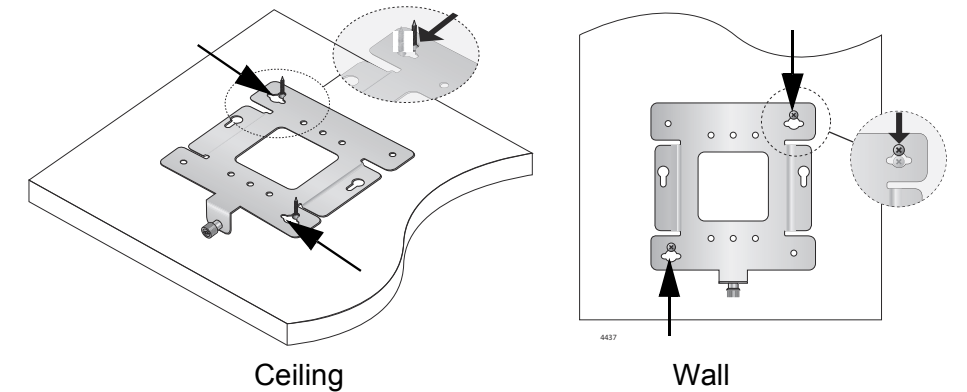
3. Tighten the screws so that they touch the mounting bracket plate and then loosen them by 1/4 turn. Adjust the chassis screws so they are loose enough to allow the mounting bracket to slide in the keyhole slots, but tight enough to be hold the chassis close to the bracket without rattling.
4. Slide the mounting bracket forward and temporarily remove it from the access point so the bracket can be independently mounted on the ceiling or wall in the next steps.

Installing Mounting Bracket

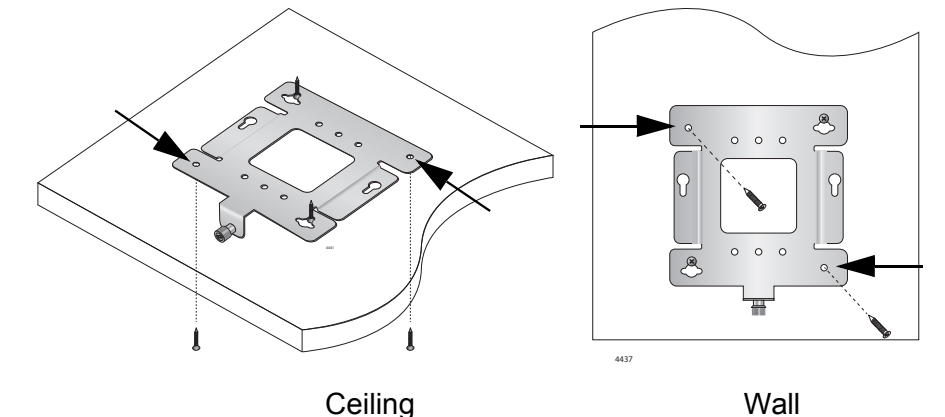
1. Choose an allowable orientation of the access point on the wall from the examples shown in the next figure. When installing the mounting bracket, ensure that its thumb screw is oriented in the same direction as the front of the access point chassis. Refer to the arrows in the following figure.



2. Using the mounting bracket as a template on the ceiling or the wall, mark the two key-hole slots with a pencil in the location and orientation where you want to install the access point.
3. Pre-drill the two marked locations for the keyhole slots on the hard-surface ceiling or wall and install two M4 screws and anchors (not provided). Leave the screws loose enough so the bracket can slide under the screw head.
4. Insert the openings of the bracket key-holes under the two screw heads and slide the bracket into narrow end of the key-hole slot opening. Tighten the screws snugly onto the bracket. Refer to the following figure.



5. Locate the two existing open bracket mounting holes in the opposite corners from the key-hole slots. Pre-drill holes through these holes into the mounting surface. Refer to the following figure.



6. Install and tighten two M4 screws (not provided) in the holes prepared in Step 5. The physical position of the bracket is now stationary.

Attaching Chassis to Mounting Bracket

1. Before mounting the access point to the mounting bracket, connect the Ethernet cables. If you choose to power the access point with a DC power supply, plug the DC connector into the DC IN jack.
2. Installation of an anti-theft cable/lock is optional. If you choose to install a physical security device, the access point has a lock port that is compatible with a Kensington lock. Follow the instructions provided with the vendor's anti-theft device packaging for the installation.

Note

Anti-theft devices including a Kensington lock are not available or provided from Allied Telesis.

3. Align and insert the two access point chassis screws into the keyhole slots of the mounting bracket.
4. Slide the chassis forward until seated into the bracket keyhole slot and the bracket thumbscrew is aligned with the screw hole on the front of the chassis,
5. Tighten the bracket thumbscrew into the front of the chassis until it is securely fastened.

Starting the Initial Management Session

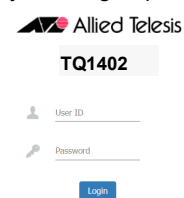
This section contains an abbreviated version of the procedure for starting the initial management session. For complete instructions, refer to the *TQ1402 Series Wireless Access Point Installation Guide* or *TQ1402 and TQm1402 User's Guide*.

The wireless access point firmware includes a DHCP client. The default setting for the client is enabled. When you power on the access point for the first time, it queries the subnet on the LAN port for a DHCP server. If a DHCP server responds to its query, the unit uses the IP address the server assigns to it. If there is no DHCP server, the access point uses the default IP address 192.168.1.230.

To start the initial management session, perform the following procedure:

1. Start the web browser on your management workstation.
2. Enter the IP address of the wireless access point in the URL field of the web browser. The address is one of the following:
 - If your network does not have a DHCP server, enter the default address 192.168.1.230.
 - If your network has a DHCP server, enter the IP address the DHCP server assigned to the access point.

The wireless access point displays the logon prompt.



3. Enter "manager" for the username and "friend" for the password. The username and password are case-sensitive.

Setting the Country Setting

For instructions on setting the country setting, refer to the *TQ1402 Series Wireless Access Point Installation Guide* or *TQ1402 and TQm1402 User's Guide*.

Note

The non-US model of this product has a country code setting that must be set during the initial management session of the unit. The setting ensures that the unit operates in compliance with the laws and regulations of your country or region.

The country code for the US model is preset and cannot be changed. Per FCC regulations, the country code setting for all Wi-Fi products marketed in the US must be fixed to US operational channels only.

LEDs

The LEDs on the top panel of the access point are described in this table.

Table 1. TQ1402 Access Point LEDs

LED	State	Description
Power	GREEN	TQ1402 is powered ON and operating normally.
	AMBER	System is booting up. Or A fault condition has been detected.
	BLINKING AMBER	Firmware is upgrading.
	OFF	TQ1402 is <i>not</i> receiving power.
LAN	GREEN	A valid link is established on the port.
	BLINKING GREEN	Data is being transmitted and received.
	OFF	No link is established.
2.4GHz Wi-Fi	GREEN	The 2.4GHz Wi-Fi interface is enabled.
	OFF	The 2.4GHz Wi-Fi interface is disabled.
5 GHz Wi-Fi	GREEN	The 5GHz Wi-Fi interface is enabled.
	OFF	The 5GHz Wi-Fi interface is disabled.

Federal Communication Commission Interference Statement

This device complies with Part 15 of the FCC Rules. Operation is subject to the following two conditions: (1) This device may not cause harmful interference, and (2) this device must accept any interference received, including interference that may cause undesired operation.

This equipment has been tested and found to comply with the limits for a Class B digital device, pursuant to Part 15 of the FCC Rules. These limits are designed to provide reasonable protection against harmful interference in a residential installation. This equipment generates, uses and can radiate radio frequency energy and, if not installed and used in accordance with the instructions, may cause harmful interference to radio communications. However, there is no guarantee that interference will not occur in a particular installation. If this equipment does cause harmful interference to radio or television reception, which can be determined by turning the equipment off and on, the user is encouraged to try to correct the interference by one of the following measures:

- Reorient or relocate the receiving antenna.
- Increase the separation between the equipment and receiver.
- Connect the equipment into an outlet on a circuit different from that to which the receiver is connected.
- Consult the dealer or an experienced radio/TV technician for help.

FCC Caution: Any changes or modifications not expressly approved by the party responsible for compliance could void the user's authority to operate this equipment.

This transmitter must not be co-located or operating in conjunction with any other antenna or transmitter. This device is restricted to indoor use only.

The band from 5600-5650 MHz will be disabled by the software during the manufacturing and cannot be changed by the end user. This device meets all the other requirements specified in Part 15E, Section 15.407 of the FCC Rules.

Radiation Exposure Statement

This equipment complies with FCC radiation exposure limits set forth for an uncontrolled environment. This equipment should be installed and operated with minimum distance of 20 cm between the radiator and your body.

European Union Restriction of the Use of Certain Hazardous Substances (RoHS) in Electrical and Electronic Equipment

This Allied Telesis RoHS-compliant product conforms to the European Union Restriction of the Use of Certain Hazardous Substances (RoHS) in Electrical and Electronic Equipment. Allied Telesis ensures RoHS conformance by requiring supplier Declarations of Conformity, monitoring incoming materials, and maintaining manufacturing process controls.

Europe - EU Declaration of Conformity

This device complies with Directive 2014/53/EU issued by the Commission of the European Community. For more information, refer to the *TQ1402 Series Wireless Access Point Installation Guide*.

Note: Contact Allied Telesis for the EU conformity statement. To contact Allied Telesis, visit our web site at www.alliedtelesis.com.

Product Specifications

For the product specifications, refer to the *TQ1402 Series Wireless Access Point Installation Guide*.

Safety (&EMC) Requirements and Regulatory Compliance

For safety (&EMC) requirements and regulatory compliance standards, refer to the *TQ1402 Series Wireless Access Point Installation Guide*.

Copyright © 2019 Allied Telesis, Inc.

All rights reserved.

No part of this publication may be reproduced without prior written permission from Allied Telesis, Inc.

Allied Telesis and the Allied Telesis logo are trademarks of Allied Telesis, Incorporated. All other product names, company names, logos or other designations mentioned herein are trademarks or registered trademarks of their respective owners.

Allied Telesis, Inc. reserves the right to make changes in specifications and other information contained in this document without prior written notice. The information provided herein is subject to change without notice. In no event shall Allied Telesis, Inc. be liable for any incidental, special, indirect, or consequential damages whatsoever, including but not limited to lost profits, arising out of or related to this manual or the information contained herein, even if Allied Telesis, Inc. has been advised of, known, or should have known, the possibility of such damages.